

# **PAMS Technical Documentation**

## **RPE-1 Series Transceivers**

### **Chapter 7**

## **Service Accessories**



**CONTENTS**

	<b>Page No</b>
Fast Travel Charger ACH-6E .....	4
Product Code .....	4
View of ACH-6E .....	4
Service Adapter JBT-8 .....	5
Product Code .....	5
View of JBT-8 .....	5
Baseband Fixed Supply .....	6
Baseband Test .....	6
Antenna Cable XRP-1 .....	7
Product Code .....	7
View of XRP-1 .....	7
MBUS Cable DAU-9P .....	8
Product Code .....	8
View of DAU-9P .....	8
Power Connector PCS-1 .....	9
Product code .....	9
View of PCS-1 .....	9
Service Cable SCH-5 .....	10
Product Code .....	10
View of SCH-5 .....	10
Flash Security Box TDF-4 .....	11
Product Code .....	11
View of TDF-4 .....	11
Cable Assembly AXS-4 .....	12
Product Code .....	12
View of AXS-4 .....	12
SW Security Device PKD-1 .....	13
Product Code .....	13
View of SW Security Device .....	13

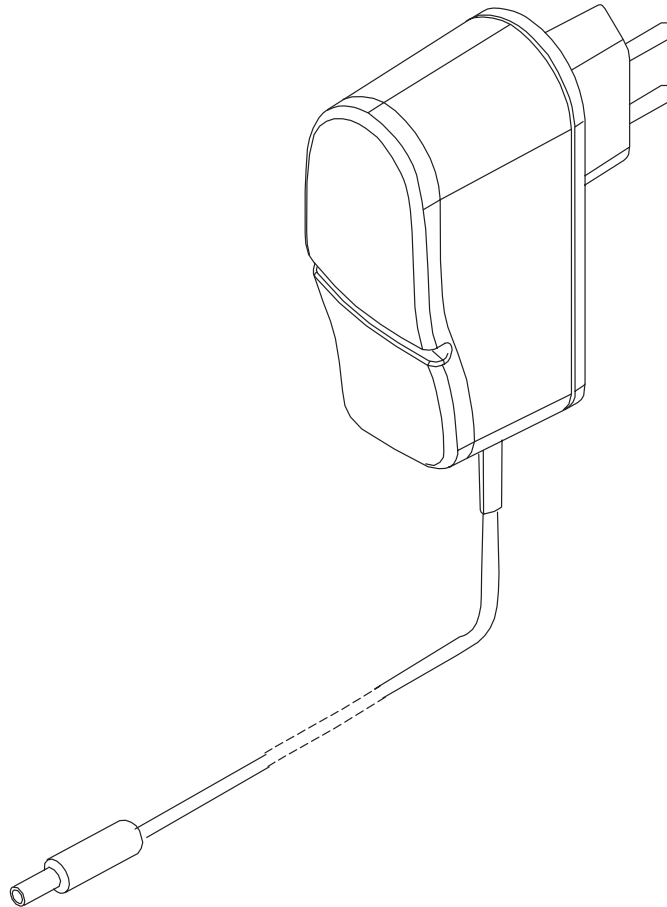
## Fast Travel Charger ACH-6E

### Product Code

Fast Travel Charger ACH-6E:

0675084

### View of ACH-6E



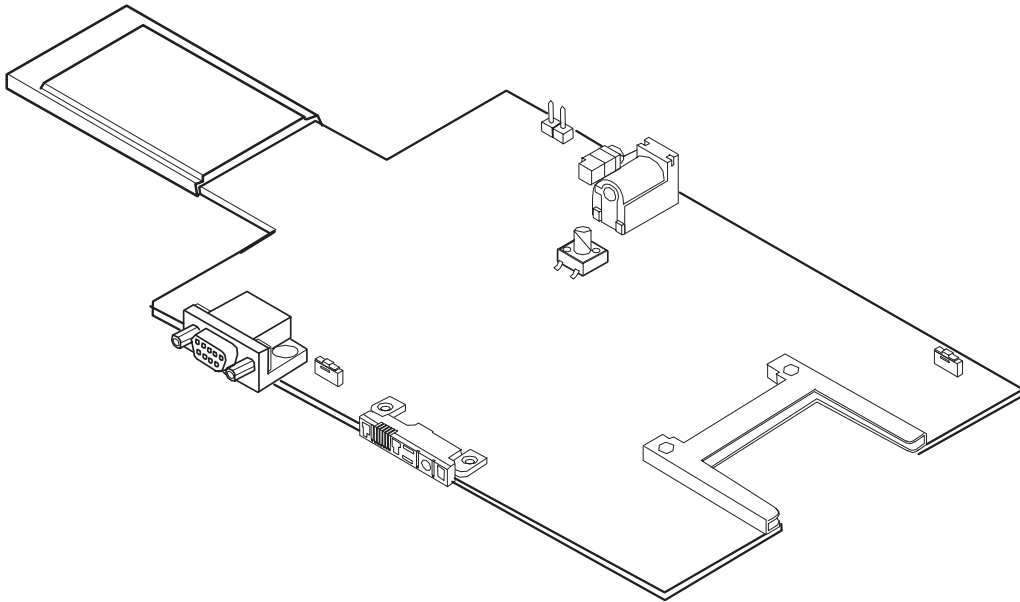
## Service Adapter JBT-8

The Service Adapter JBT-8 serves as a test and service platform for the RPE-1 transceiver card.

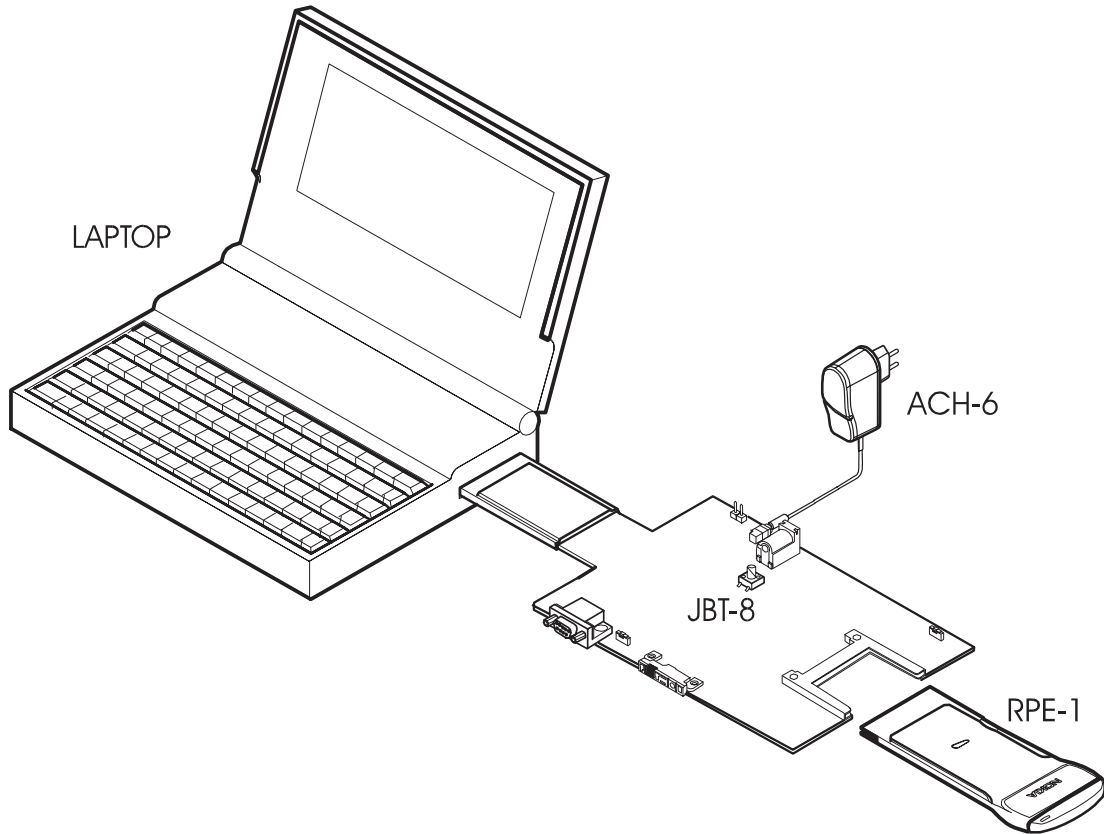
### Product Code

Service Adapter JBT-8: 0770099

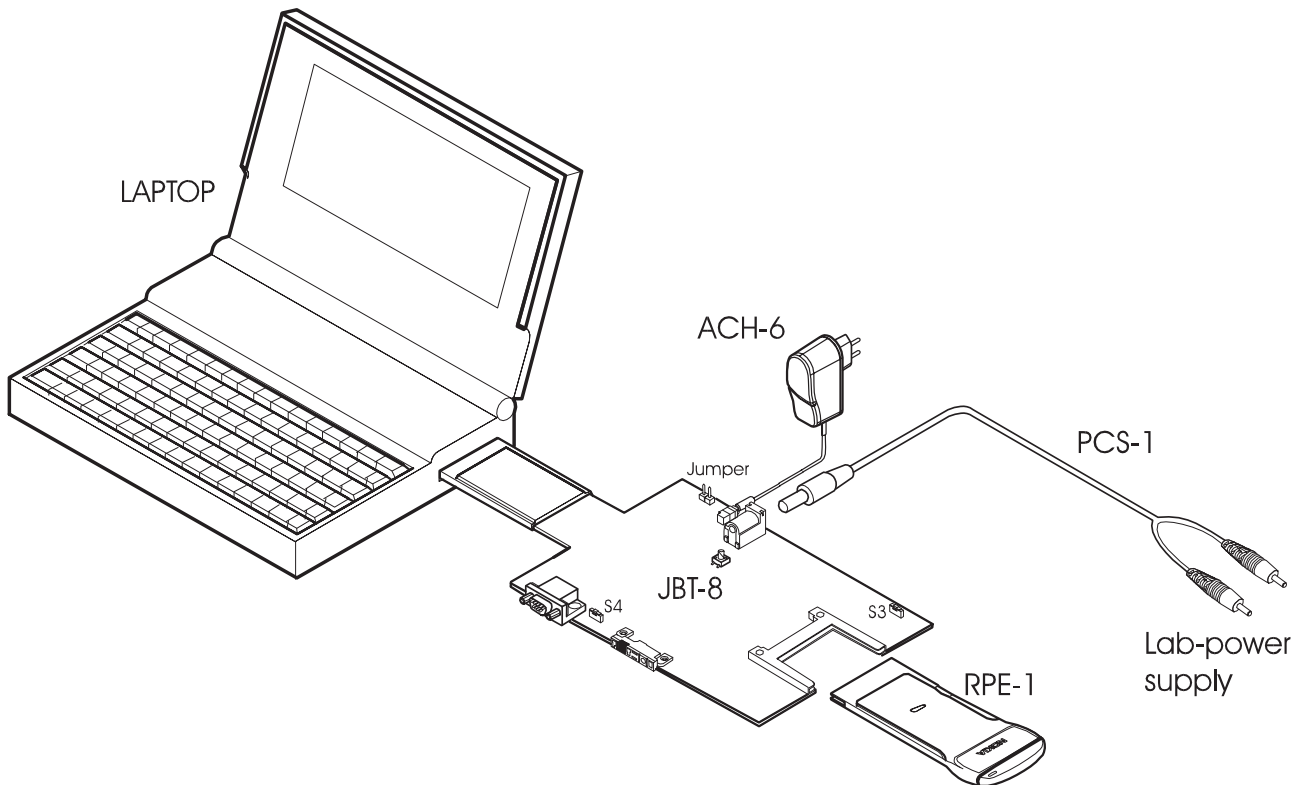
### View of JBT-8



### Baseband Fixed Supply



### Baseband Test



## Antenna Cable XRP-1

### Product Code

Antenna Cable XRP-1:

0730124

### View of XRP-1



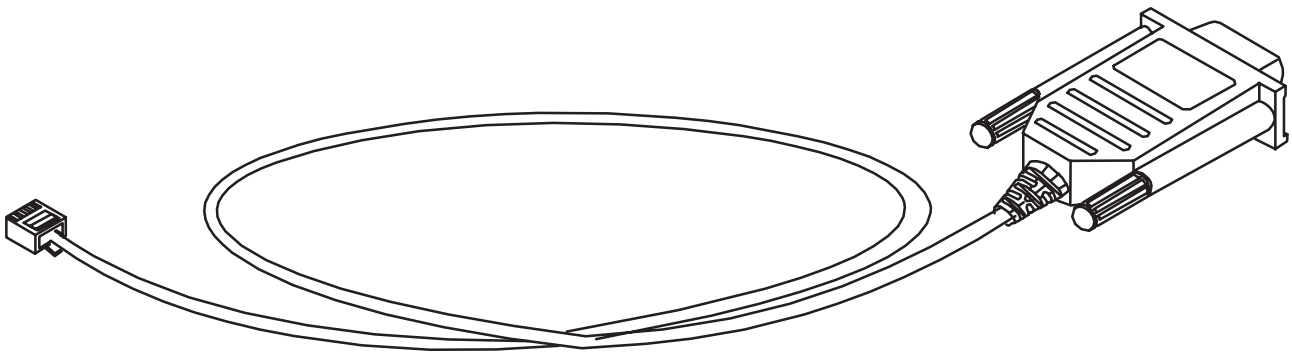
## MBUS Cable DAU-9P

### Product Code

MBUS Cable DAU-9P:

0730109

### View of DAU-9P





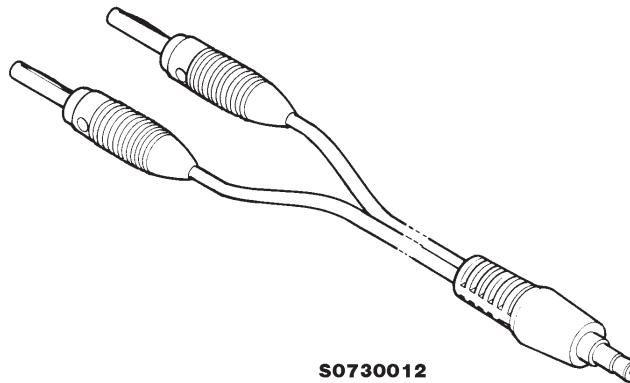
## Power Connector PCS-1

Suitable adapter between JBT-8 and the power supply.

### Product code

Power Connector PCS-1: 0730012

### View of PCS-1



**S0730012**

## Service Cable SCH-5

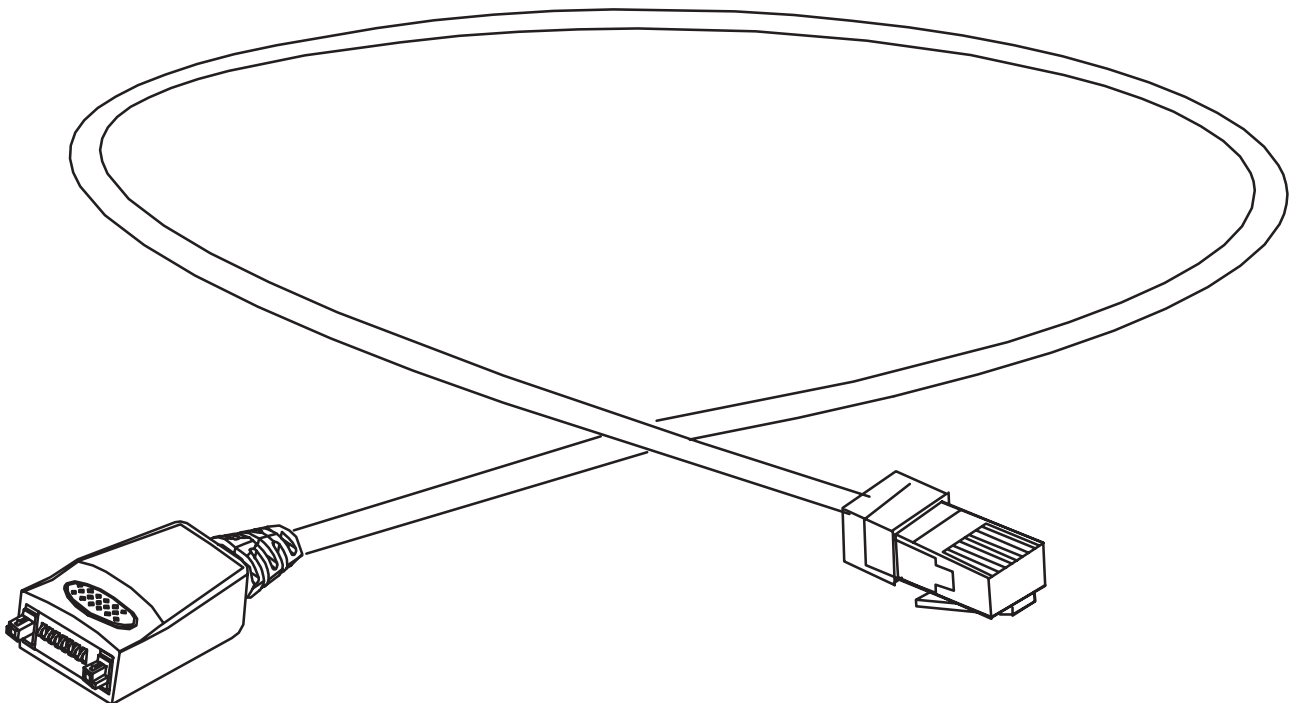
System cable SCH-5 is a cable between the service adapter and the Flash security box. SCH-5 allows data to be transferred to and from the transceiver.

### Product Code

System Cable SCH-5:

0730098

### View of SCH-5



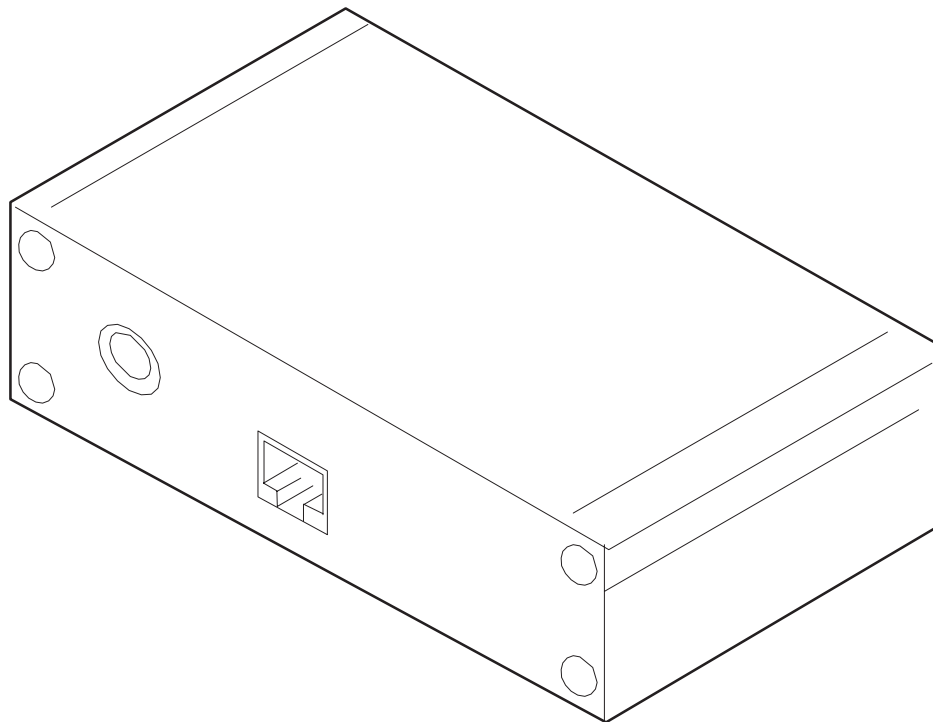
## Flash Security Box TDF-4

### Product Code

Flash Security Box TDF-4:

0770106

### View of TDF-4



## Cable Assembly AXS-4

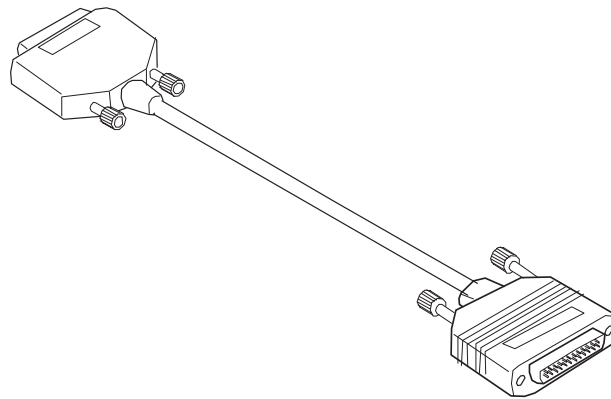
To connect the Flash Security Box TDF-4 to the computer.

### Product Code

Cable Assembly AXS-4:

0730090

### View of AXS-4



## SW Security Device PKD-1

SW security device is a piece of hardware enabling the use of the service software when connected to the parallel (LPT) port of the PC. Without the dongle present it is not possible to use the service software. Printer or any such device can be connected to the PC through the dongle if needed.

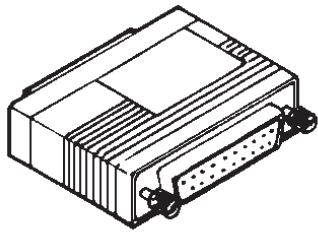
*Caution: Make sure that you have switched off the PC and the printer before making connections!*

*Caution: Do not connect the PKD-1 to the serial port. You may damage your PKD-1!*

### Product Code

SW Security Device PKD-1: 0750018

### View of SW Security Device



**G0750018**

This page intentionally left blank.